

PRODUCT INFORMATION PACKET

marathon[®]
Motors

Model No: 5KC49SN2158
Catalog No: C1424
1.5,3450,TEFC,56C,1/60/115/230
Totally Enclosed Fan Cooled (TEFC)



Regal and Marathon are trademarks of Regal Beloit Corporation or one of its affiliated companies.
©2018 Regal Beloit Corporation, All Rights Reserved. MC017097E

REGAL[®]



Nameplate Specifications

Output HP	1.50 Hp	Output KW	1.1 kW
Frequency	60 Hz	Voltage	115/230 V
Current	16.4,8.2 A	Speed	3450 rpm
Service Factor	1.3	Phase	1
Efficiency	74 %	Duty	Continous
Insulation Class	B	KVA Code	H
Frame	56C	Enclosure	Totally Enclosed Fan Cooled
Overload Protector	N/R	Ambient Temperature	40 °C
Drive End Bearing Size	6203	Opp Drive End Bearing Size	6203
UL	Recognized	CSA	Yes
CE	N		

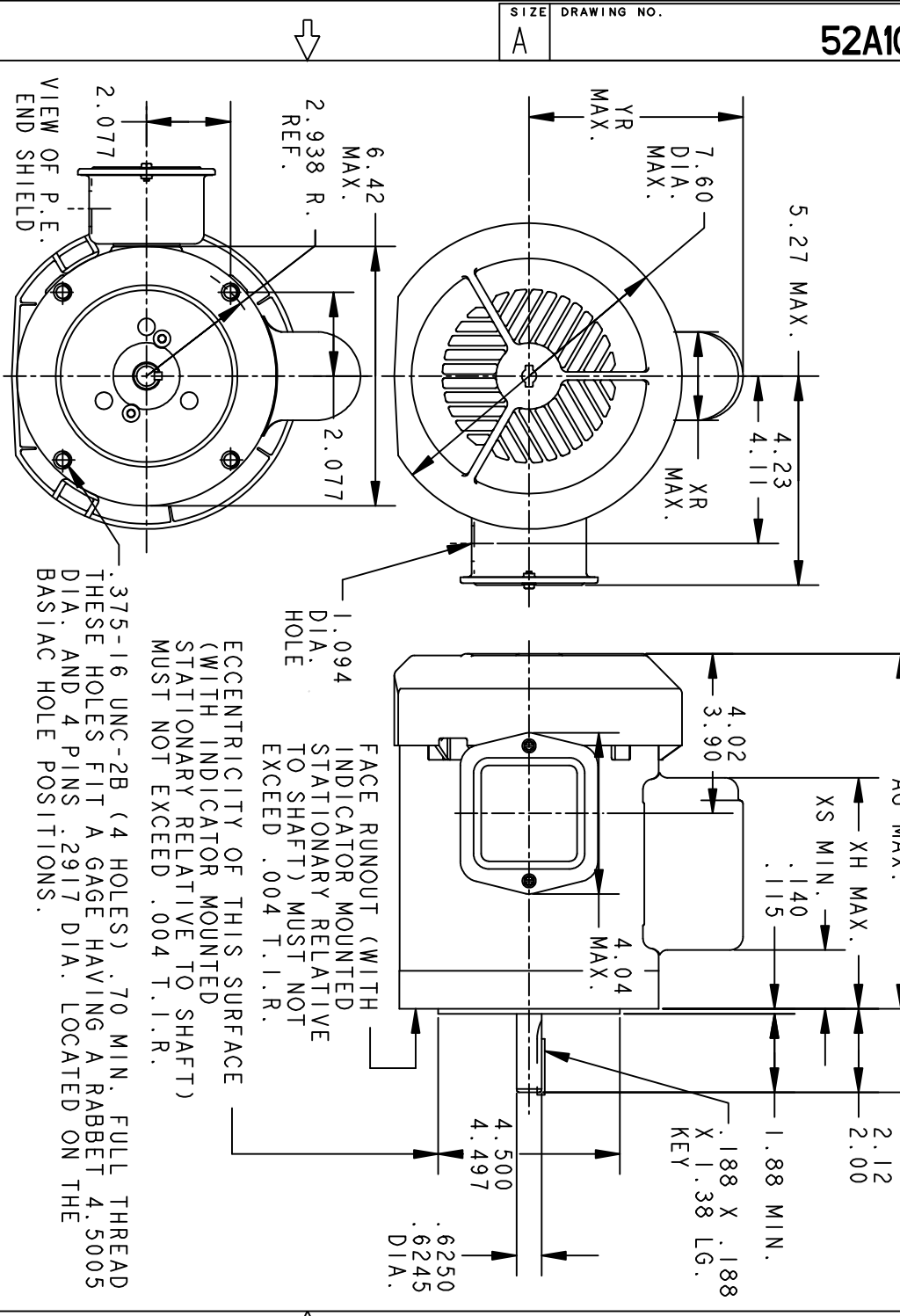
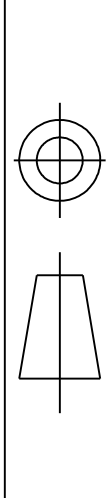
Technical Specifications

Electrical Type	Capacitor start(CSIR)	Starting Method	SM
Poles	2	Rotation	Counterclockwise/Clockwise
Mounting	Round	Motor Orientation	Any
Drive End Bearing	LOCKED	Opp Drive End Bearing	BALL
Frame Material	Rolled Steel	Overall Length	12.93 in
Frame Length	7.68 in	Shaft Diameter	0.630 in
Shaft Extension	1.88 in		
Outline Drawing	52A109618P2	Connection Diagram	52A105381BA

This is an uncontrolled document once printed or downloaded and is subject to change without notice. Date Created: 06/29/2018

REVISIONS

REV.	DESCRIPTION	DATE	APPROVED
1	ADDED P#2	05/13/94	M.A.M
2	ADDED P#3	08/12/05	GOVARDAN



P	TYPE	GE SIZE	NEMA FR.	C	AG	XH	YR	XR	XS	MIN. SHELL
3	KC	48	56C	13.68	11.56	7.65	5.47	2.40	1.90	8.43
2	KC	49	56C	12.93	10.81	7.56	5.45	2.40	1.90	7.68
1	KC	49	56C	12.40	10.28	7.50	5.45	2.40	1.90	7.15

FOR ADDITIONAL INFO REFER TO:		SIGNATURES		DATE
APPLIED PRACTICES	MODEL			
DIMENSIONS ARE IN INCHES	DETAIL	MA MARKS		05/03/94
TOLERANCE ON: 1 PL DECIMALS ± 0.1 2 PL DECIMALS ± 0.02 3 PL DECIMALS ± 0.005	CHECKED			
ANGLES ± 1.0	ENGRG			
FRACTIONS ±	MFG			
FINISH	QUALITY			
ISSUED		M.A.M.		05/03/94
MATERIAL	SOLID MODEL: 52A109618			

REGAL-BELOTT CORPORATION

OUTLINE

FMF - 40 FRAME REDESIGN GENERAL PURPOSE MOTOR - TEFC - BALL BEARING - R2 END MOUNTED

SCALE: 1.000 REF. No. .

SIZE DRAWING A

52A109618

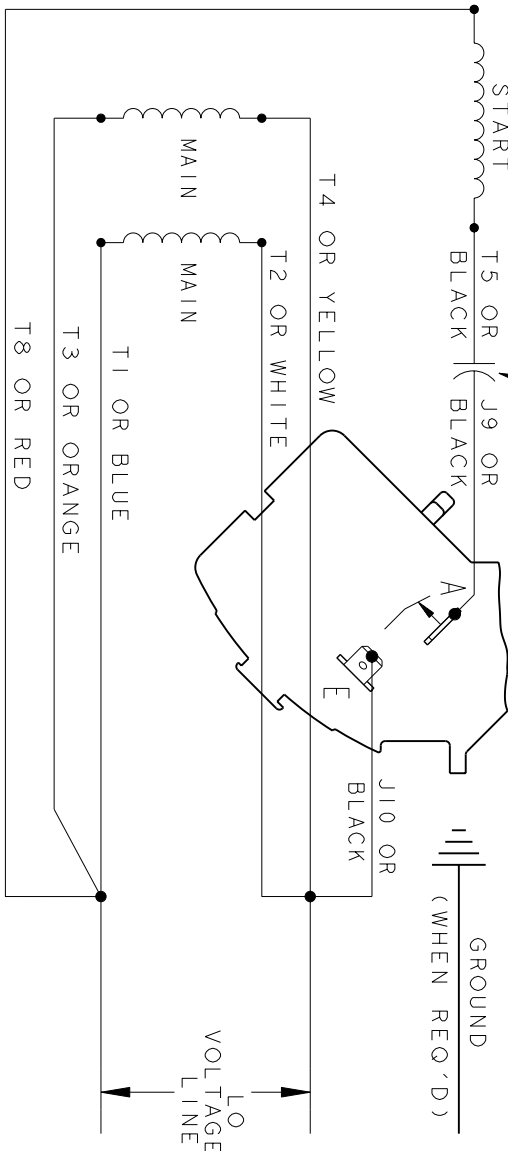
REV 2



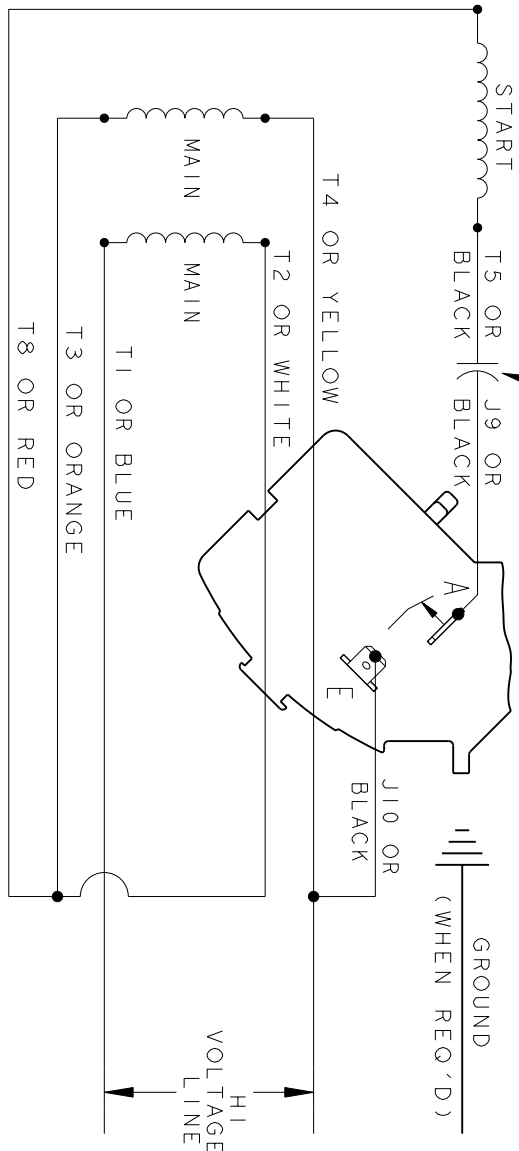
REV.	DESCRIPTION	DATE	APPROVED
3	UPDATED FORMAT	01/04/06	MAM

CCW/CW ROTATION - DUAL VOLTAGE
TYPE KC OR KH

CAPACITOR AS SHOWN FOR KC MOTORS ONLY. LEAD T5 BLACK CONNECTED DIRECTLY TO TERMINAL BOARD FOR KH MOTORS.



CAPACITOR AS SHOWN FOR KC MOTORS ONLY. LEAD T5 BLACK CONNECTED DIRECTLY TO TERMINAL BOARD FOR KH MOTORS.



NOTE#1 - TO REVERSE ROTATION, INTERCHANGE T8 RED AND J10 BLACK LEADS.
NOTE#2 - WHEN MORE THAN ONE CAPACITOR IS USED, CONNECT IN PARALLEL.

SWITCH (H) - 115D958AA

REF. DIAG. - 113A326 CONNECTION LABEL - 52X332917



REGAL-BELOIT CORPORATION
CONNECTION DIAGRAM

SIGNATURES	DATE
MODEL M.D. PAPER	06/29/87
DETAIL	.
CHECKED	.
ENGRG	.
MFG	.
QUALITY	.
ISSUED	M.D.P. 06/29/87
APPLIED PRACTICES	✓
DIMENSIONS ARE IN INCHES	
MATERIAL	SOLID MODEL: 52A105381BA

TITLE	FME: 30 FRAME SWITCH REDESIGN	REV	3
SIZE DRAWING	A	SCALE: 1.000	REF. No: .
52A105381BA		SHEET 1 of 1	